



SLIATE

SRI LANKA INSTITUTE OF ADVANCED TECHNOLOGICAL EDUCATION

(Established in the Ministry of Higher Education, vide in Act No. 29 of 1995)

Higher National Diploma in Engineering (Civil)

3rd Year, Second Semester Examination – 2016

IT3104 – Information Technology III (CAD Application)

Instructions for Candidates:

Check the possibility of saving your file before start modeling. **Save all files on desktop with your index number** in specific time interval to prevent data loss in case of power failure.

No. of pages: ~~04~~

No. of questions: 01

Time: Three (03) Hours

1. Create a folder on the desktop with your index number as the folder name. (2 Marks)
2. Open AutoCAD and create file using your index number. (3 Marks)
3. Create separate layers for Plan and Annotation (Dimension) with different color for each layer. (5 Marks)
4. Draw the house plan as shown in Figure A. (20 Marks)

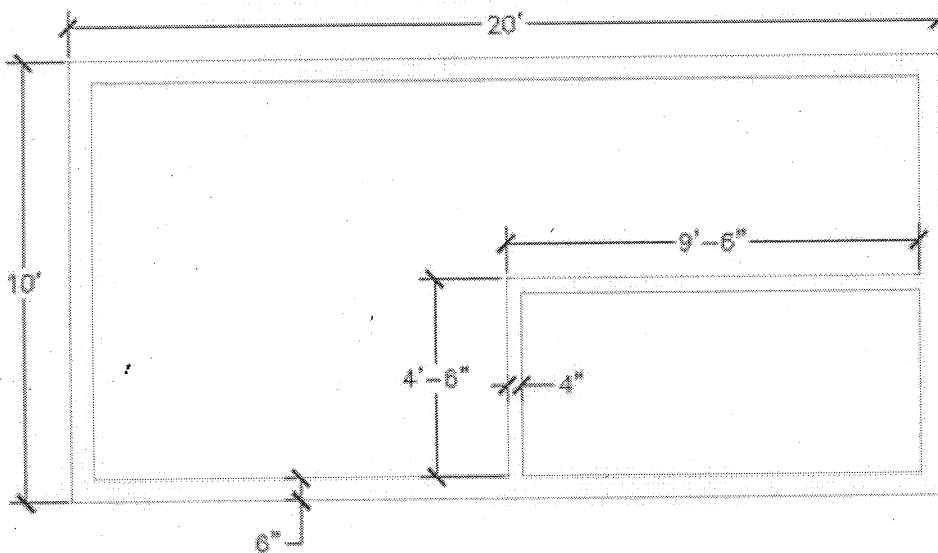


Figure A

5. Create 3D walls as shown in Figure B. The height of the walls is 10'. (15 Marks)

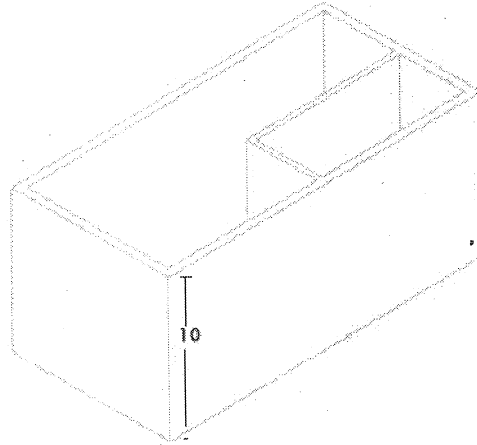


Figure B

6. Create openings for doors and windows as shown in Figure C. Size of the opening for door is 3' X 6' and size of window opening is 4' X 3'. Linder level of door and window are same. (25 Marks)

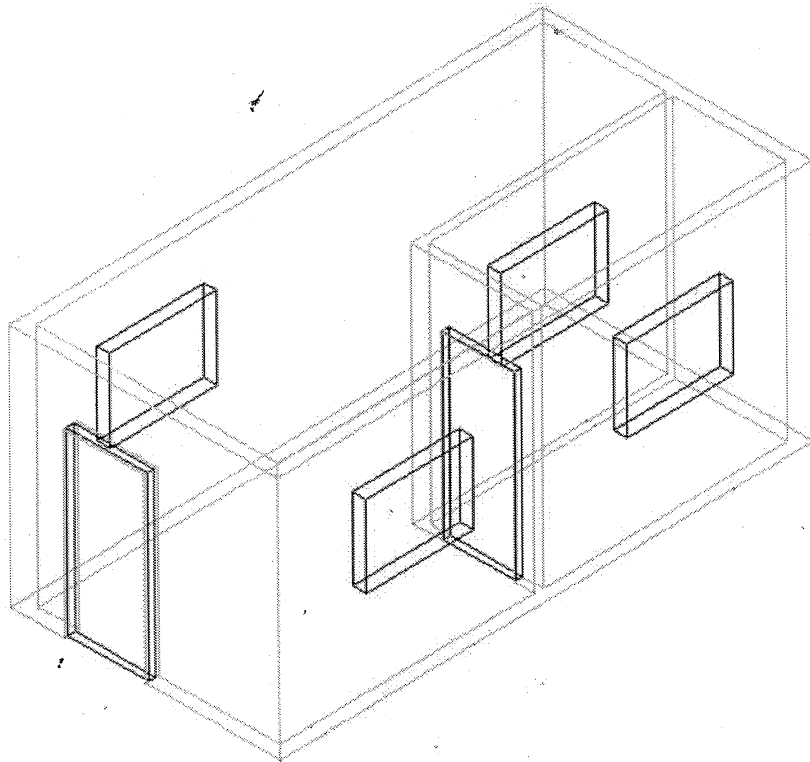


Figure C

Refer Figure D and Figure E when you create the openings.

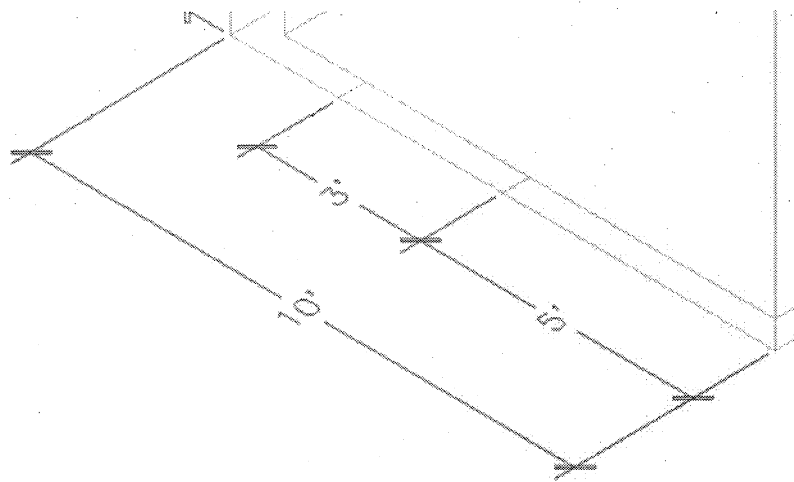


Figure D

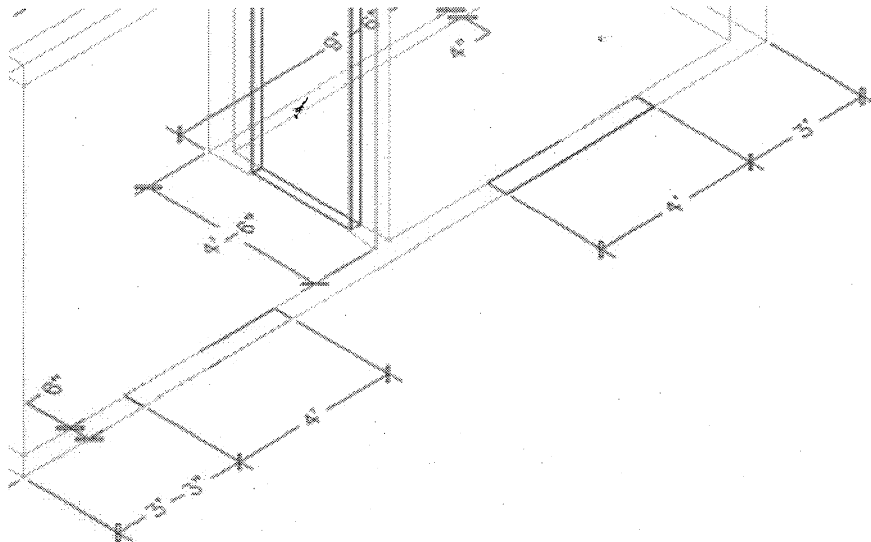
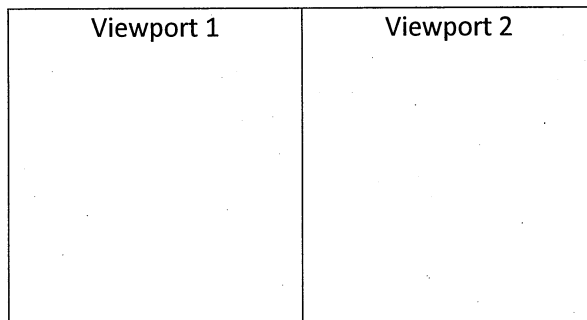


Figure E

7. Indicate the dimensions of your drawing on the drawing. (Use the layer you created for dimensions). (10 Marks)
8. Create a layout with the paper size A4 and create 2 viewports as shown below. (4 Marks)



Layout

9. Choose any two views of your drawing and Show your selected views in each viewports. For example you can choose SouthEast(SE) and Front as your two views. (6 Marks)
10. Save the drawing with your index number as the file name. (5 Marks)
11. Export your drawing to PDF file. Use your index number for file name of the PDF file. Use the folder you already created for saving the files. (5 Marks)