



SLIATE

SRI LANKA INSTITUTE OF ADVANCED TECHNOLOGICAL EDUCATION
(Established in the Ministry of Higher Education, vide in Act No. 29 of 1995)

Higher National Diploma in Technology (Agriculture)
Second Year, Second Semester Examination – 2016
AG 2217- Engineering Drawing

Instructions for Candidates:

Answer all Questions.

Q: 02, 03 & 04 should be done in the provided drawing sheet using the format given below

No. of questions: 04

No. of pages : 02

Time : One & half hours (1 ½)

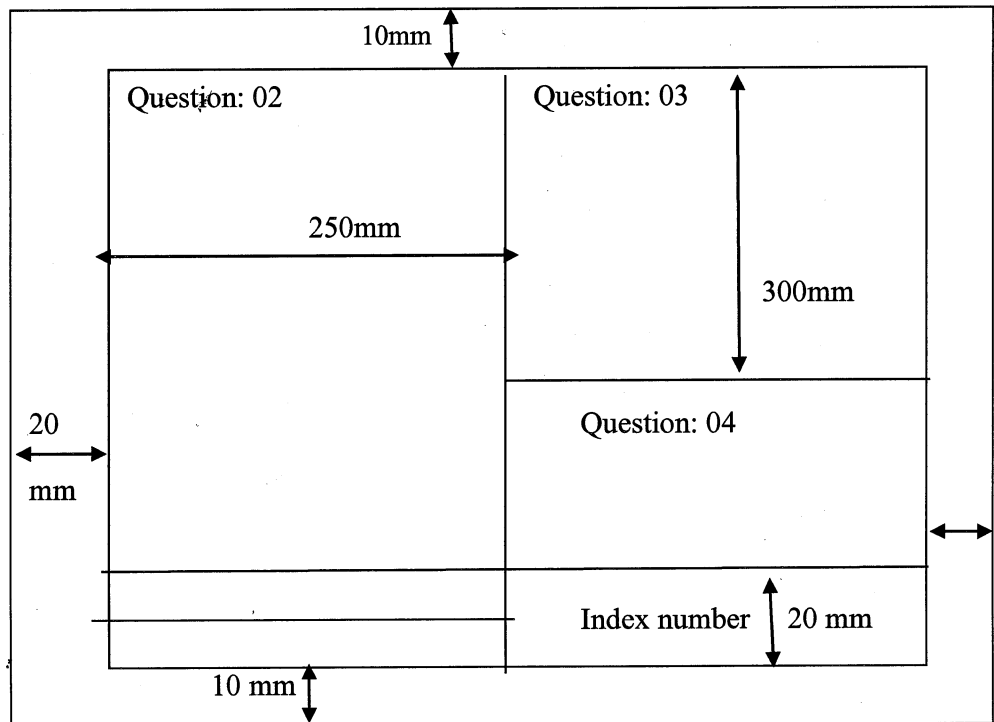


Figure 01

Question 01: Arrange the drawing sheet as **Figure 01**. Fill the title & index number in provide cages. (10 marks)

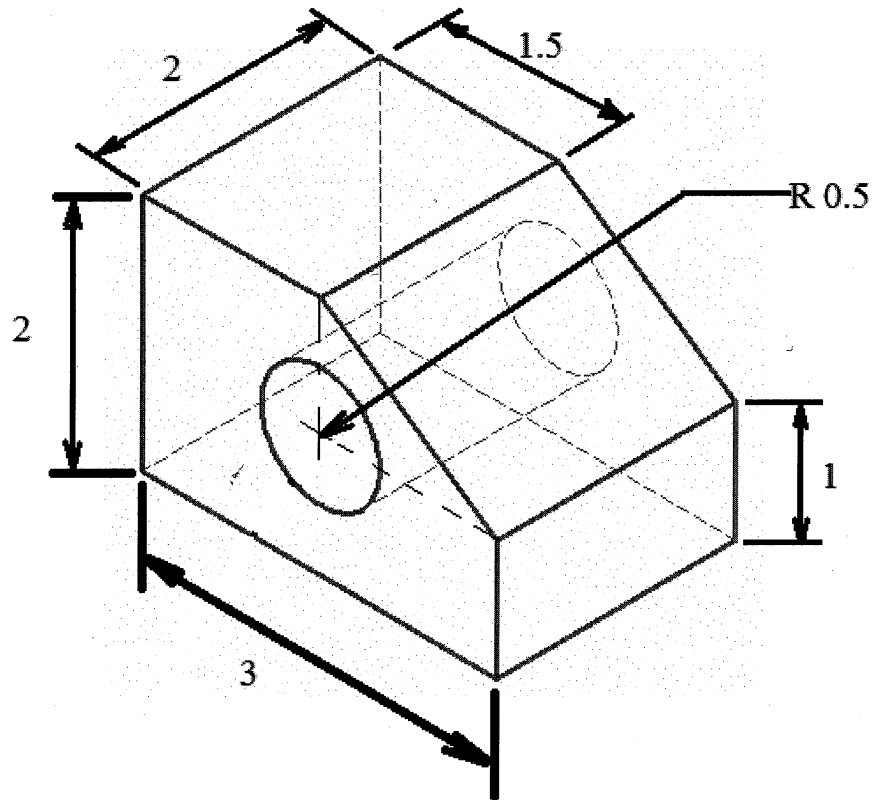
Question 02: Draw the 3rd angle projection of the given pictorial view in the figure 02, and using 2:1 scale. State the title and scale in the suitable place. A- *Front side*. All dimensions are in cm.

(50 marks)

Question 03: Construct a tangent to a circle from the given point of **P**, and **A** is the center of 3cm radius circle. AP is 8cm, and PC is the tangent.

(30 marks)

Question 04: Draw and label four types of **lines** used in geometrical constructions. (10 marks)



A

Figure 02